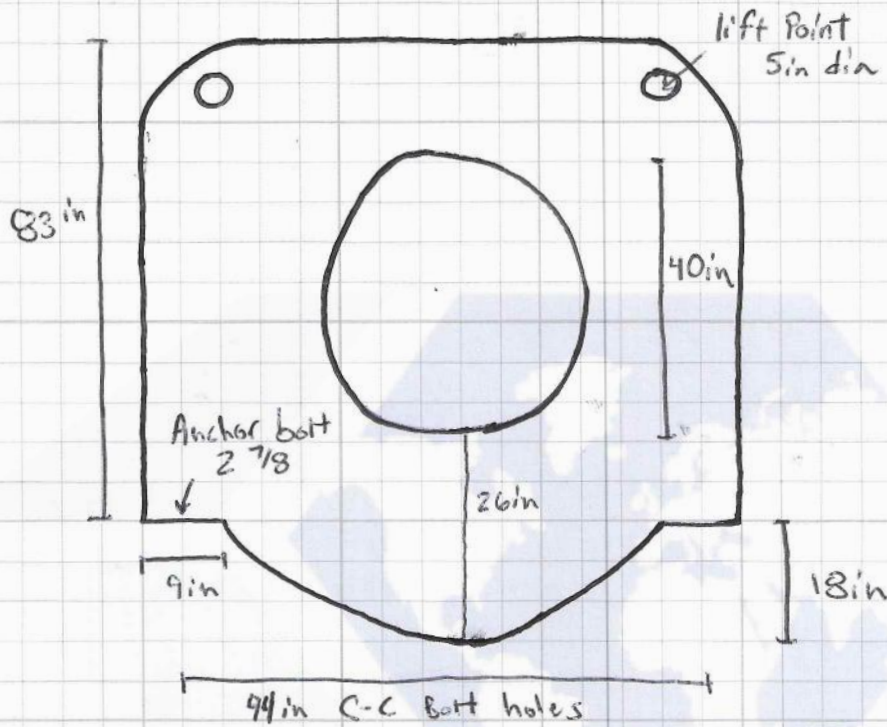
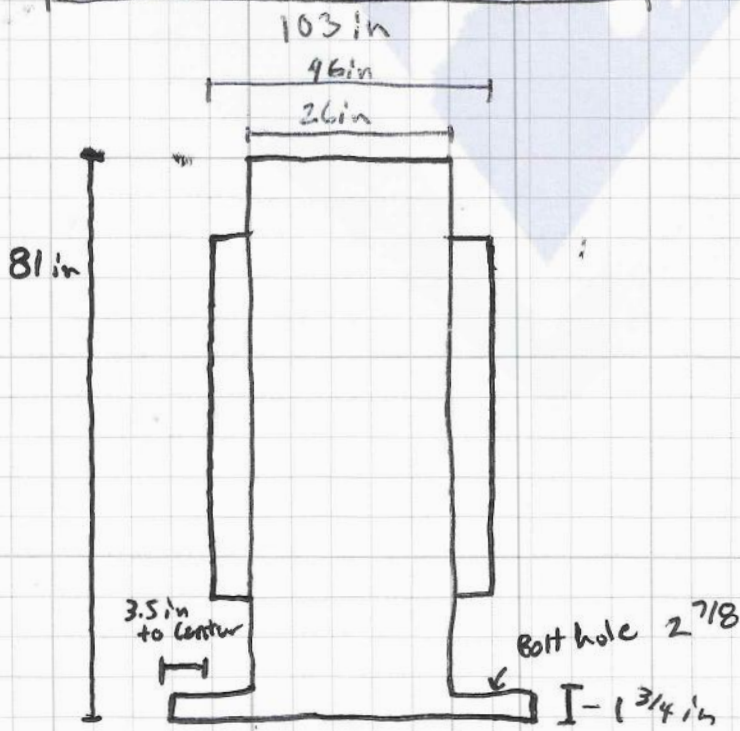


Date:	11/20/21	Subject:	EM087- 1,250 HP motor
-------	----------	----------	-----------------------

STATOR HOUSING



FRONT VIEW



SIDE VIEW

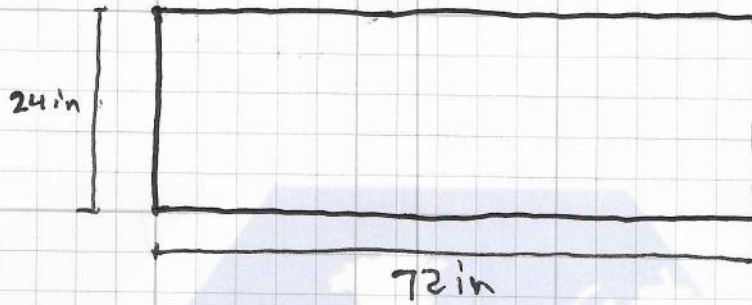
understung
 Partion of stator
 Not shown →

Date:

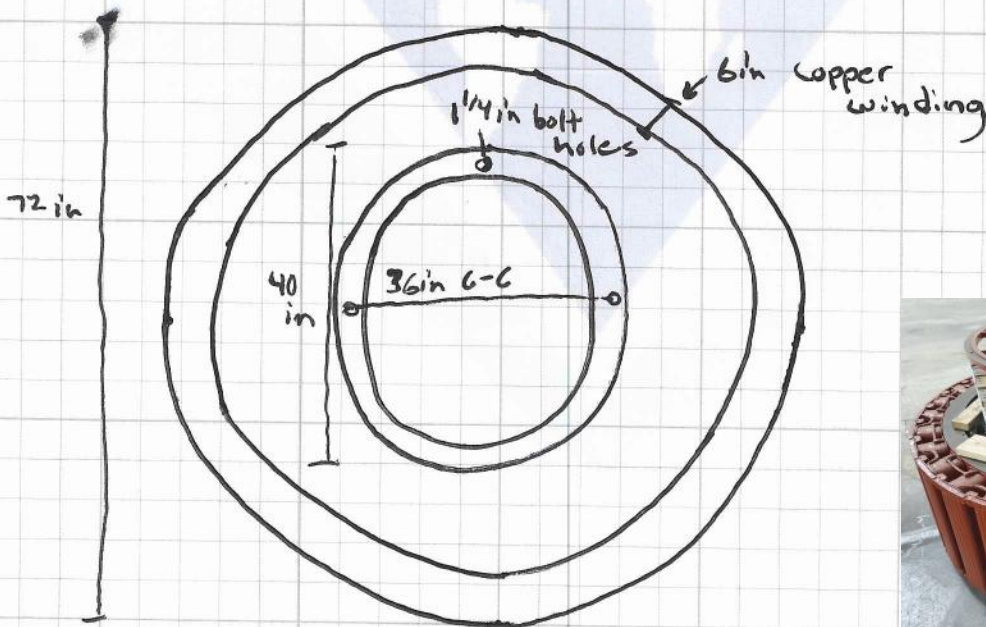
Subject:

EM087 - 1250 HP motor

ROTOR



SIDE VIEW



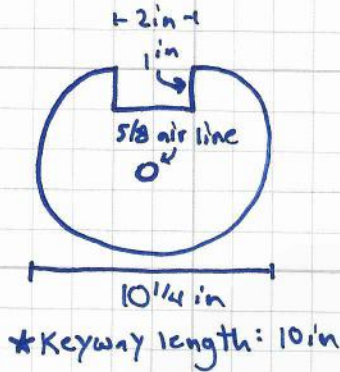
TOP VIEW



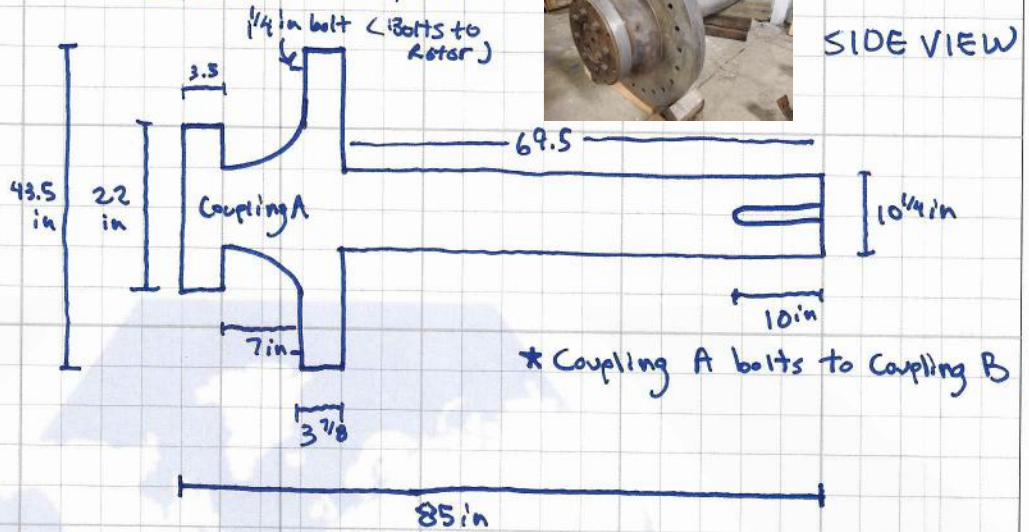
2 of 5

Date:	Subject: EM087- 1250 HP motor
-------	----------------------------------

FRONT VIEW

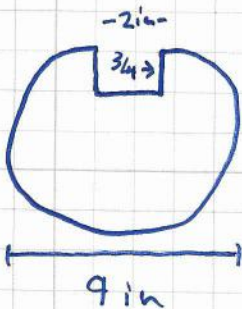
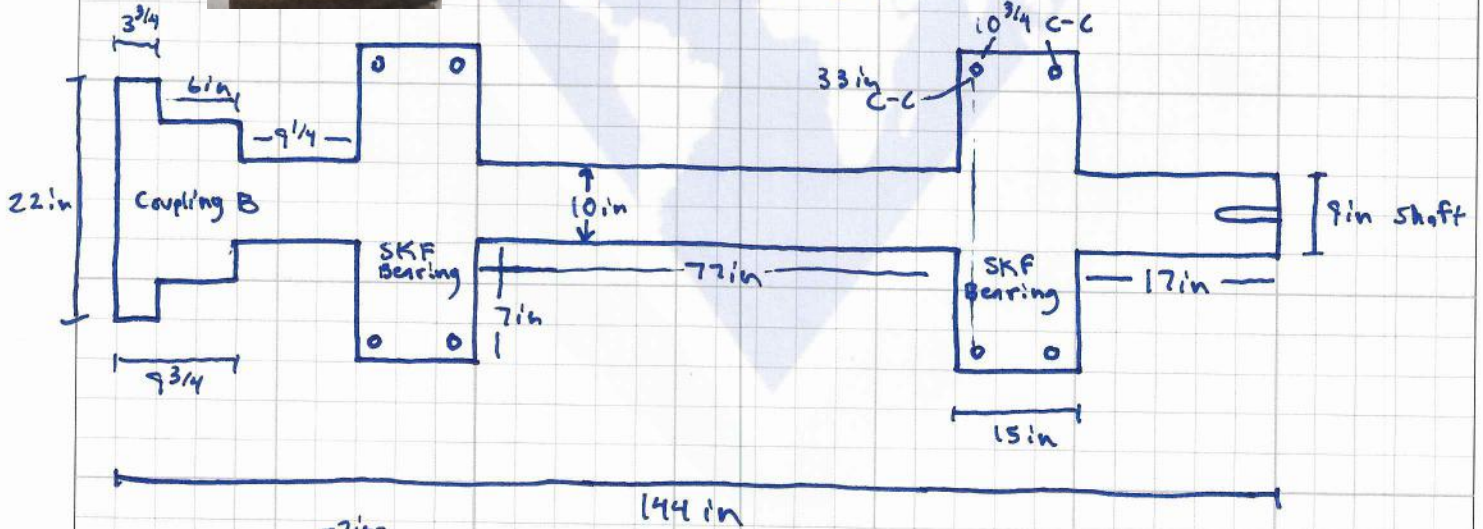


DRIVE SHAFT



SIDE VIEW

SECONDARY SHAFT

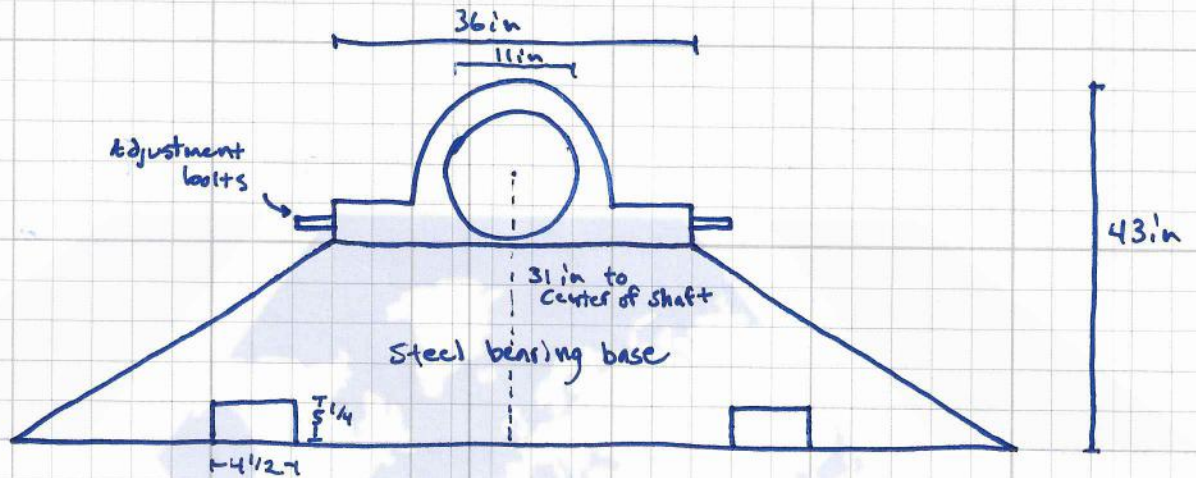


Date:

Subject:

EM087 - 1,250 HP motor

OUTBOARD BEARING



*31 inch shaft height confirmed on stator housing



Date:

Subject:

EM087 - 1,250 HP motor

GENERAL ASSEMBLY

